



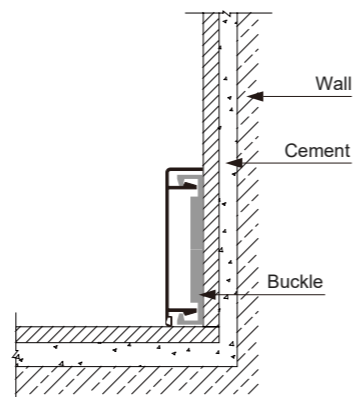
ASSAF INDUSTRY COMPANY

SKIRTING  
TRUNKING  
SERIES



[www.assafindustry.com](http://www.assafindustry.com)

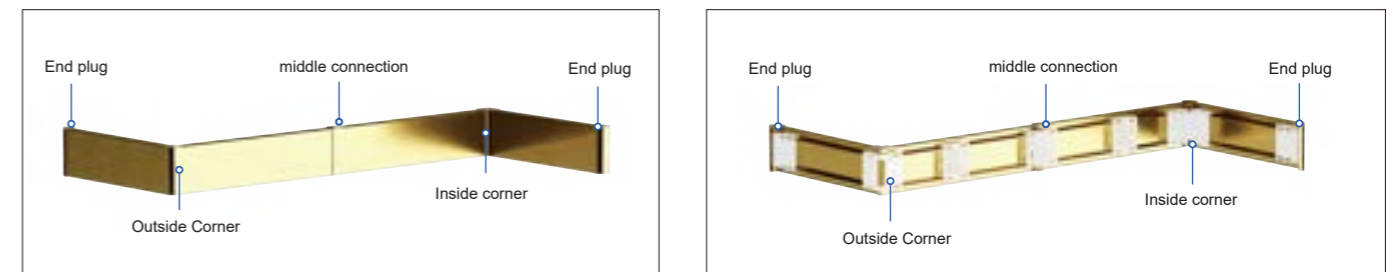
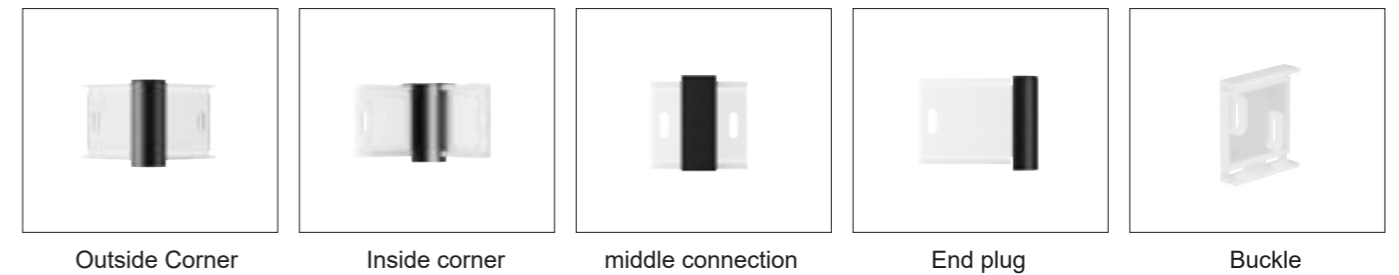
**ALUMINUM SKIRTING BOARD**



**CAD LINE GRAPH**

<b>BM-XRY-100</b> LENGTH 2.5   THICKNESS (mm) 0.8	<b>BM-XRY-101</b> LENGTH 2.5   THICKNESS (mm) 0.8/1.0	<b>BM-XRY-102</b> LENGTH 2.5   THICKNESS (mm) 0.8/1.0	<b>BM-XRY-103</b> LENGTH 2.5   THICKNESS (mm) 0.8/1.0
<b>BM-XRY-104</b> LENGTH 2.5   THICKNESS (mm) 0.8/1.0/1.2	<b>BM-XRY-105</b> LENGTH 2.5   THICKNESS (mm) 0.8/1.0/1.2	<b>BM-XRY-106</b> LENGTH 2.5   THICKNESS (mm) 0.8/1.0	<b>BM-XRY-107</b> LENGTH 2.5   THICKNESS (mm) 1.2

**ACCESSORIES**



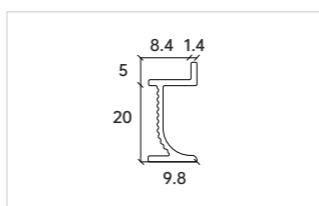
Front installation effect

Installation effect on the back

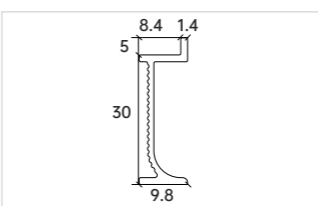
**HIDDEN SKIRTING LINE**



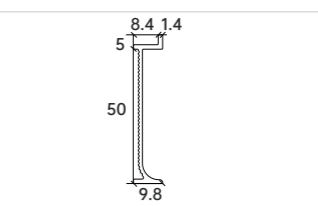
**CAD LINE GRAPH**



**BM-XRY-108**  
 LENGTH | THICKNESS (mm)  
 2.5 | 1.0



**BM-XRY-109**  
 LENGTH | THICKNESS (mm)  
 2.5 | 1.0



**BM-XRY-110**  
 LENGTH | THICKNESS (mm)  
 2.5 | 1.0

**ALUMINUM  
 EDGE  
 PROFILE**

**ACCESSORIES**



Outside Corner



Inside corner



middle connection



End plug



End plug

**INSTALLATION RENDERINGS**



**LED LIGHT SWITH SKIRTING**



**CAD LINE GRAPH**

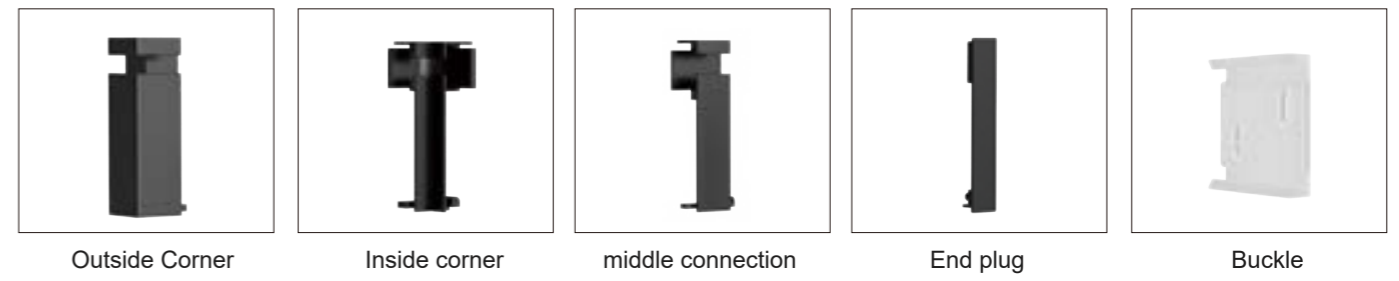
<p><b>BM-XRY-111</b></p> <p>LENGTH   THICKNESS (mm)</p> <p>2.5   1.2</p>	<p><b>BM-XRY-112</b></p> <p>LENGTH   THICKNESS (mm)</p> <p>2.5   1.0</p>

**ALUMINUM  
EDGE PROFILE**

**COLOR**

- #BLACK
- #WHITE
- #GRAY

**ACCESSORIES**



**INSTALLATION STEPS**

- 1.The reserved thread head is at the installation lamp slot, and the base is fixed.
- 2.Kick the line.
- 3.Stick the lamp strip into the lamp slot, and connect the positive and negative poles of the lamp strip with the thread end.
- 4.Connect the power supply for conducting test.
- 5.Button lampshade.
- 6.After the test, the light bar lights up normally.

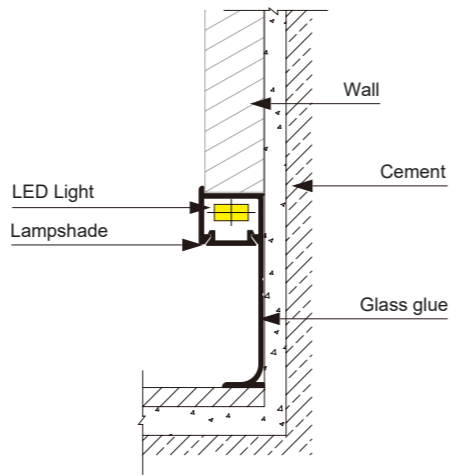
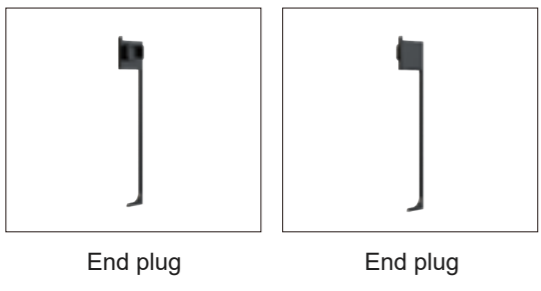
**HIDDEN SKIRTING LINE**



**COLOR**

- #BLACK
- #CHAMPAGNE
- #ROSE GOLD
- #WHITE
- #GOLD
- #WILFARKIN
- #MORANDI

**ACCESSORIES**



**CAD LINE GRAPH**

<b>BM-XRY-113</b>	<b>BM-XRY-114</b>	<b>BM-XRY-115</b>
LENGTH 2.5	THICKNESS (mm) 0.8/1.0/1.2	LENGTH 2.5
		THICKNESS (mm) 0.8/1.0/1.2

**ALUMINUM  
EDGE  
PROFILE**



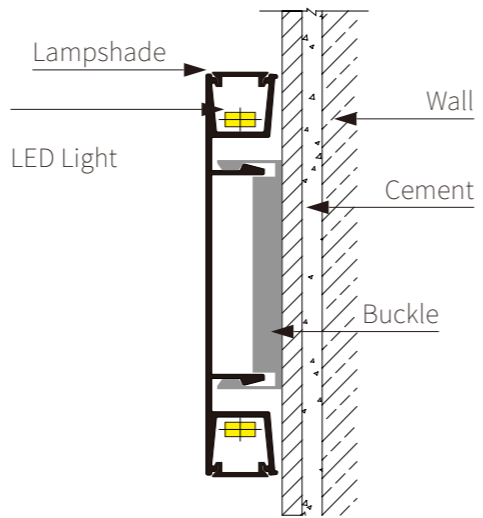
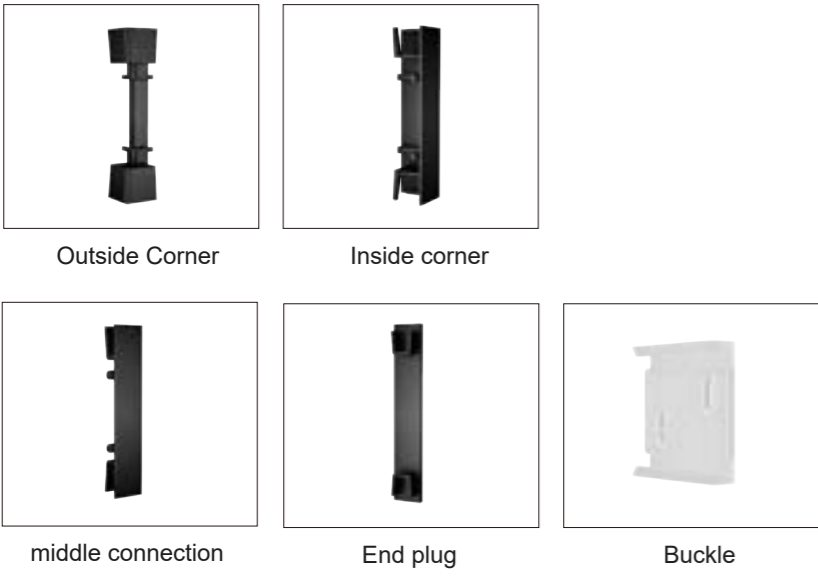
**BASEBOARDS WITH LAMPSHADE**



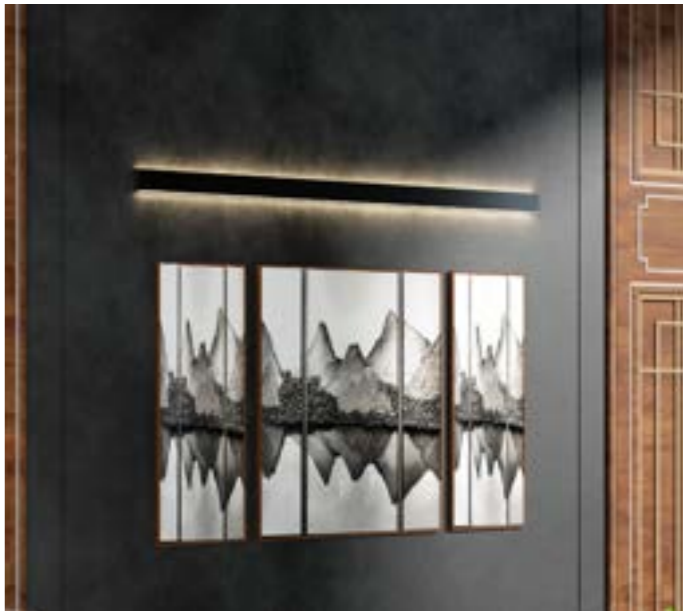
**COLOR**



**ACCESSORIES**



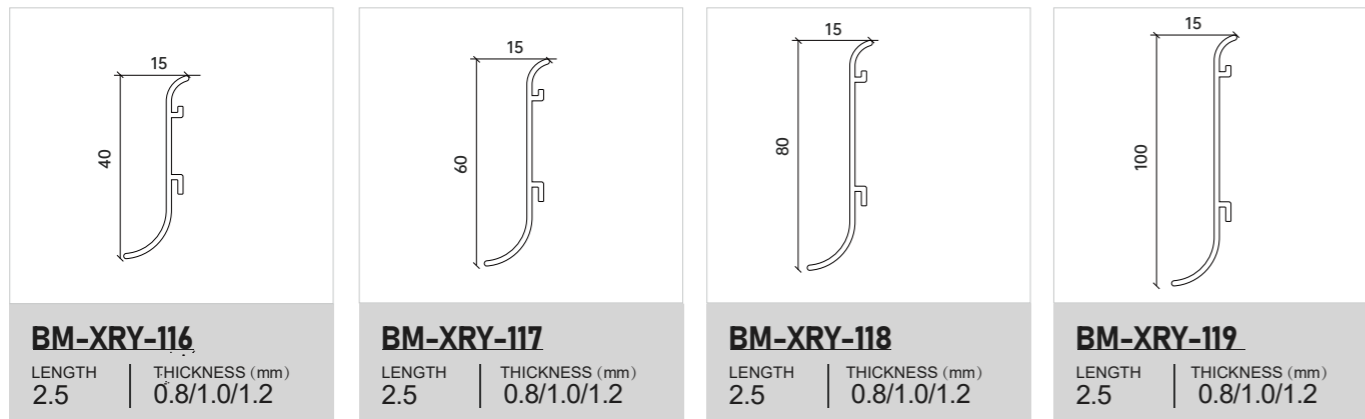
**INSTALLATION RENDERINGS**



**1.ALUMINUM SKIRTING LINE**



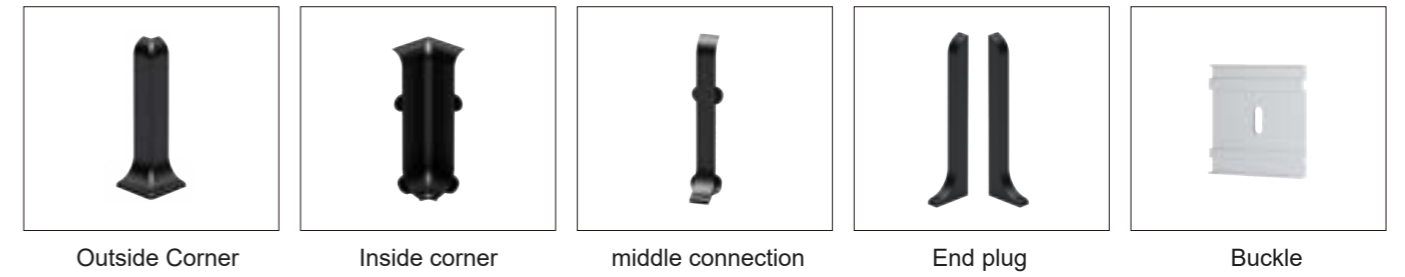
**CAD LINE GRAPH**



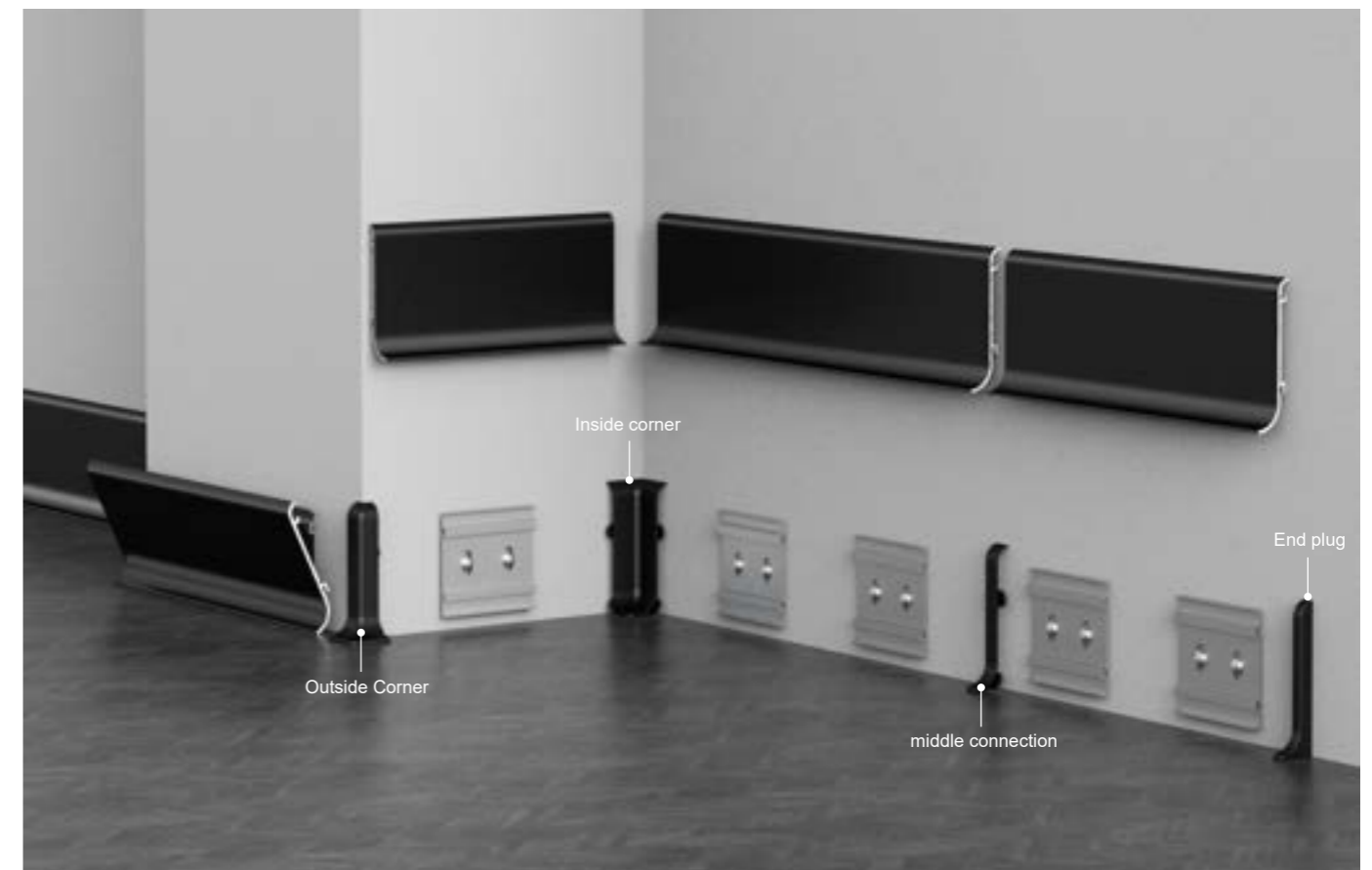
**COLOR**



**ACCESSORIES**



**INSTALLATION RENDERINGS**



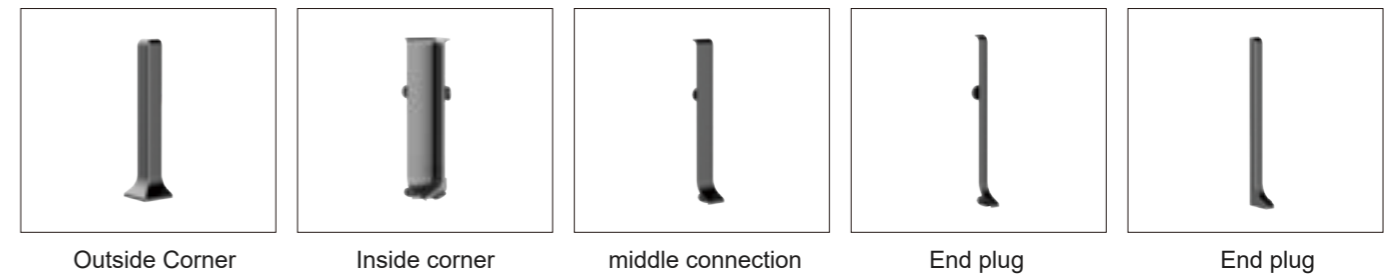
**2.ALUMINUM SKIRTING LINE**



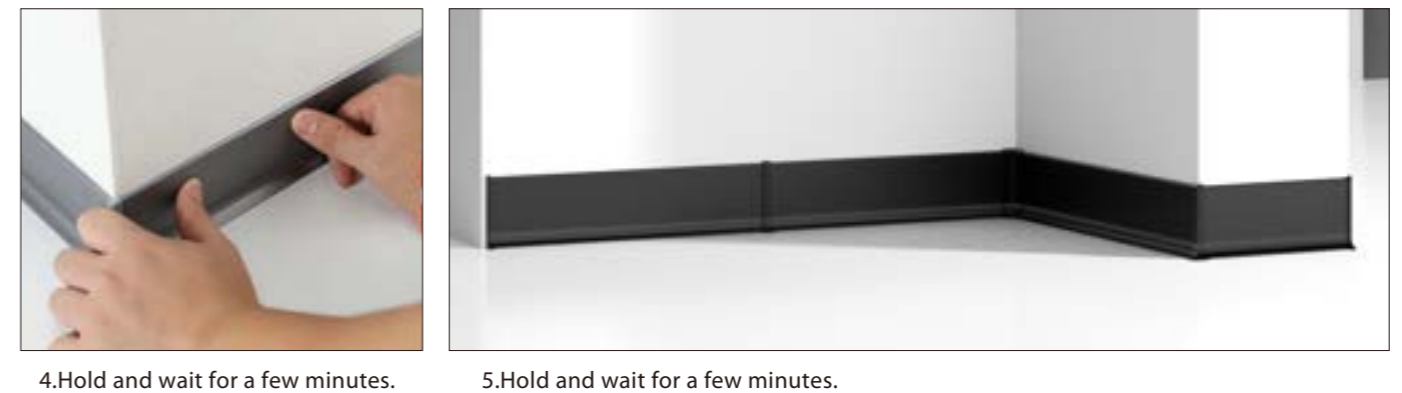
**COLOR**



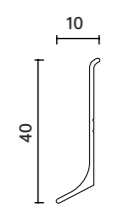
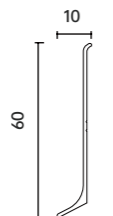
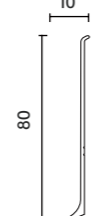
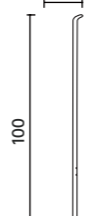
**ACCESSORIES**



**INSTALLATION RENDERINGS**



**CAD LINE GRAPH**

 <p><b>BM-XRY-120</b> LENGTH 2.5   THICKNESS (mm) 0.8/1.0/1.2</p>	 <p><b>BM-XRY-121</b> LENGTH 2.5   THICKNESS (mm) 0.8/1.0/1.2</p>	 <p><b>BM-XRY-122</b> LENGTH 2.5   THICKNESS (mm) 0.8/1.0/1.2</p>	 <p><b>BM-XRY-123</b> LENGTH 2.5   THICKNESS (mm) 0.8/1.0/1.2</p>
--	--	--	--



**BASE-FREE STAINLESS STEEL SKIRTING**



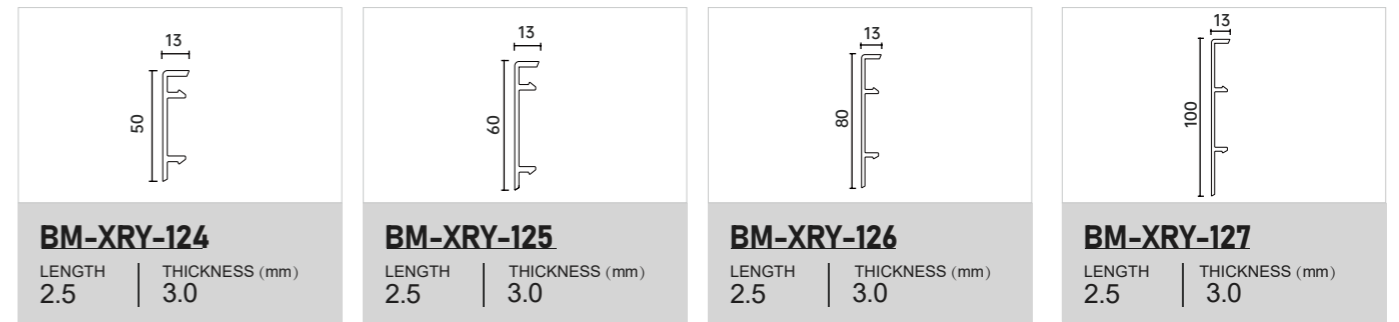
**COLOR**

- 
- #BRUSHED ROSE GOLD
- 
- #BRUSHED BLACK
- 
- #BRUSHED STAINLESS STEEL SILVER
- 
- #BRUSHED TITANIUM GOLD

**ACCESSORIES**



**CAD LINE GRAPH**



**1. STAINLESS STEEL SKIRTING**



**COLOR**

- #BRUSHED ROSE GOLD
- #BRUSHED BLACK
- #BRUSHED STAINLESS STEEL SILVER
- #BRUSHED TITANIUM GOLD

**CAD LINE GRAPH**

<p><b>BM-XRY-128</b></p> <table border="1" style="width: 100%; border-collapse: collapse;"> <tr> <td>LENGTH</td> <td>THICKNESS (mm)</td> </tr> <tr> <td>2.5</td> <td>0.8</td> </tr> </table>	LENGTH	THICKNESS (mm)	2.5	0.8	<p><b>BM-XRY-129</b></p> <table border="1" style="width: 100%; border-collapse: collapse;"> <tr> <td>LENGTH</td> <td>THICKNESS (mm)</td> </tr> <tr> <td>2.5</td> <td>0.8</td> </tr> </table>	LENGTH	THICKNESS (mm)	2.5	0.8	<p><b>BM-XRY-130</b></p> <table border="1" style="width: 100%; border-collapse: collapse;"> <tr> <td>LENGTH</td> <td>THICKNESS (mm)</td> </tr> <tr> <td>2.5</td> <td>0.8</td> </tr> </table>	LENGTH	THICKNESS (mm)	2.5	0.8	<p><b>BM-XRY-131</b></p> <table border="1" style="width: 100%; border-collapse: collapse;"> <tr> <td>LENGTH</td> <td>THICKNESS (mm)</td> </tr> <tr> <td>2.5</td> <td>0.8</td> </tr> </table>	LENGTH	THICKNESS (mm)	2.5	0.8
LENGTH	THICKNESS (mm)																		
2.5	0.8																		
LENGTH	THICKNESS (mm)																		
2.5	0.8																		
LENGTH	THICKNESS (mm)																		
2.5	0.8																		
LENGTH	THICKNESS (mm)																		
2.5	0.8																		



**2. STAINLESS STEEL SKIRTING**



**COLOR**



**CAD LINE GRAPH**

